

Gx350i – Clean. Clear. Coding.

The **Gx350i** Thermal Ink Jet (TIJ) printer is Domino's coding specialist for multi-printhead operation, fast data transfer, and challenging controller environments across many industries. The small printheads can be mounted up to 25m from the IP64 rated controller. A 10" touchscreen with intuitive user interface enables easy and error-free operation and data input directly on board.



Easy to integrate

- ◆ Versatile printhead variants to support wide range of applications:
Standard range: 12.7mm high and includes a compact printhead option.
EXT range: up to 26.1mm per printhead for larger codes, all without the need to stitch.
OPT range: 13.5mm codes with a higher throw distance (up to 10mm) for special applications.
- ◆ Fieldbus options like EtherCAT and Ethernet/IP: fast data transfer, integration with PLCs and precise synchronisation for motion control systems.
- ◆ Flexible connector options (front, back and top) on all variants.
- ◆ Track & trace and item level serialisation via Dynamark protocol: 21 CFR Part 11 compliant, audit trail with comprehensive user administration, validation documentation available.



Easy to operate

- ◆ Easy printer operation and monitoring using the touch screen or via web browser.
- ◆ Automatic cartridge recognition and ink parameter setting.
- ◆ Continuous Operation: for uninterrupted production, the **AutoSwap** functionality enables cartridge change while printing. A Bulk Ink system is available for long-run operation without the need for any operator intervention.
- ◆ Operate four printheads from one controller for multiple individual applications, or to code label heights up to: 50.8mm (standard), 104.3mm (EXT) or 54.2mm (OPT).

Clean. Clear. Coding.

- ◆ Graphic printing quality on paper, card, plastic, metal, and many other materials.
- ◆ Flexible label design: text, counters, clocks, graphics, logos, barcodes can all be included on the same label.
- ◆ Grade A code readability (ISO 15415) using Domino's inks on high density datamatrix codes (module size 40x40, ≤ 169 characters).



www.domino-printing.com



A complete solution



Our services are designed to provide operational insight so you can eliminate downtime and maximise production efficiency.

Operational support

Our **SafeGuard** packages provide high-quality, on-site assistance, and AR-enabled remote guidance from our engineers, helping us be with you when you need us most.

Automatic code inspection

Automate your code inspection to validate code presence, placement, and readability with Domino's range of vision control systems, R-Series. This ensures every code that leaves your factory is present correct and frees up operator time.

Control software

Minimise errors using Domino's **QuickDesign** software. Control your product codes from a central location and streamline product changeovers. **QuickDesign** uses standard communication protocols and can be integrated into existing ERP systems.

Smart production

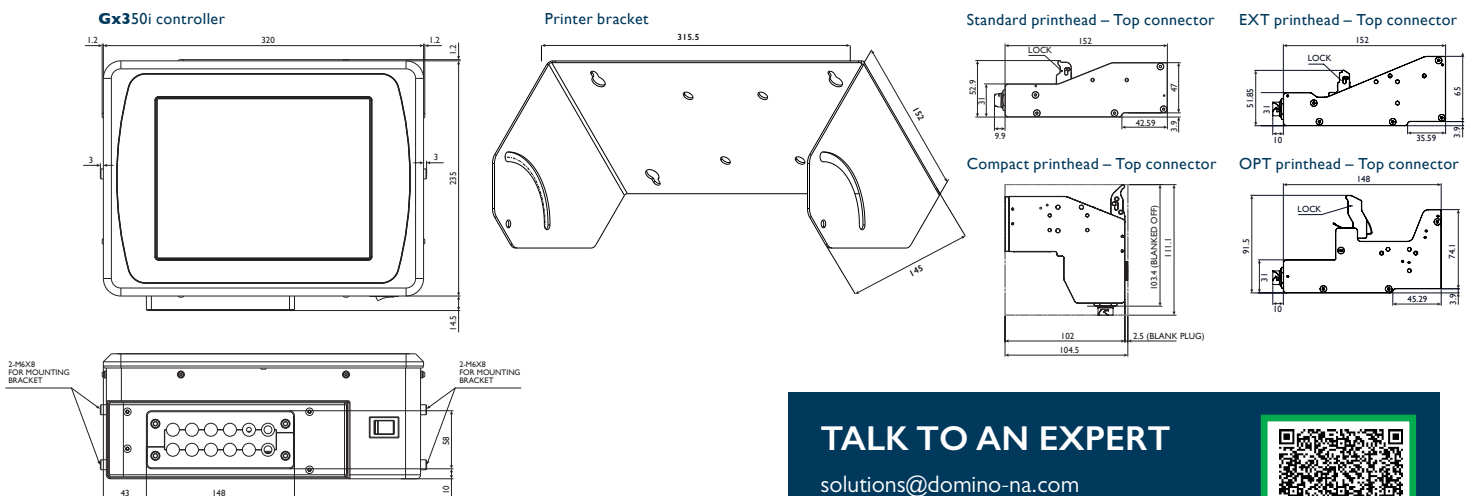
Gain operational insight by connecting your printer to **Domino Cloud**. Obtain production analytics dashboards and receive system error alerts. **Domino Cloud** provides you with information to run your operations more efficiently.



Technical specification Gx350i

	Standard	Compact	EXT	OPT
Controller specifications				
Controller dimensions	height: 123.9mm, width: 322.4mm, depth: 250.7mm, weight: 6.4kg			
Printhead specification				
Printhead dimensions (TOP variant including connector)	height 162mm, width 28.5mm, depth 52.9mm, weight 0.22kg	height 104.5mm, width 28.5mm, depth 111.1mm, weight 0.29kg	height 162mm, width 29.7mm, depth 68.9mm, weight 0.27kg	height 158mm, width 35.7mm, depth 78mm, weight 0.31kg
Printhead cables	1.5, 3, 6, 12 or 25m			
Printheads per controller	Up to 4 printheads for increased message height or individual printing on up to 4 different print positions			
Print height	1 printhead: 12.7mm 2 printheads: 25.4mm 3 printheads: 38.1mm 4 printheads: 50.8mm		1 printhead: 26.1mm 2 printheads: 52.2mm 3 printheads: 78.2mm 4 printheads: 104.3mm	1 printhead: 13.5mm 2 printheads: 27.1mm 3 printheads: 40.6mm 4 printheads: 54.2mm
Print speed and horizontal resolution*	up to 300m/min at 60dpi to 30m/min at 600dpi			high speed mode enabled: up to 228m/min at 60dpi to 22m/min at 600 dpi high speed mode disabled: up to 150m/min at 60dpi to 15m/min at 600 dpi
Ownership specification				
External connection options	2 encoders, I/Os for beacons, product detects or other; 2 USBs (type A), RS232C, 2x LAN			
Power connector	3-way plug			
Electrical supply	Input: 100-240V AC, 50-60 Hz, 2 A			
Controller operating temperature	0° - 45°C (32° - 113°F)			
Operating relative humidity	20 - 80% RH (non condensing, 10°C increase per hour)			
Controller finish	Stainless steel			
Communication	Ethernet / Dynamark protocol, EDC (serial, TCP, USB) optional: fieldbus protocols			
User interface	QuickStep via 10" touch screen or customer HMI			
Continuous operation options	Bulk Ink system for long-run operation, AutoSwap for uninterrupted production			
Consumables**				
Inks	A range of fast drying water and solvent based inks for porous and non-porous substrates, black, colours, and specialist inks			
i-Techx features	Automatic ink cartridge detection, automatic ink parameter setting, automatic ink level recording			

* Ink dependent **This product has a Quality Management System that means that it will only work with Domino circuitry, and it uses dynamic security measures to block non-Domino circuitry from being used. From time to time updates to the circuitry will be issued by Domino to maintain the effectiveness of the Quality Management System



TALK TO AN EXPERT

solutions@domino-na.com

800.444.4512

www.domino-na.com/contact

