

# Gx-Series PRO

Enabling Smarter Packaging with High-Quality 2D Codes

Retail and supply chain stakeholders are adapting packaging to support inline printing of variable-data 2D codes. Demand for QR and Data Matrix codes is increasing due to GS1's Sunrise ambition for point of sale (POS) adoption, Digital Deposit Return Schemes, consumer engagement, and taxation requirements.



High-quality 2D codes are becoming essential for modern food packaging, but maintaining reliable scan grades at production speed remains a major challenge. Manufacturers need solutions capable of producing compliant, high-resolution codes across larger print areas, varied substrates, and demanding production lines.

That's why Domino developed the **Gx-Series PRO**, a purpose-built TIJ solution engineered for high-speed 2D code printing. Designed for today's packaging operations, **Gx-Series PRO** combines large print areas, high optical density, flexible throw distances, and reliable performance to help manufacturers maintain consistent, GS1-compliant code quality at line speed.



## Supporting Efficiency, Accuracy and Compliance

**Gx-Series PRO** thermal inkjet (TIJ) printer delivers high-contrast, GS1-compliant 2D codes at speeds suited to modern food production lines.

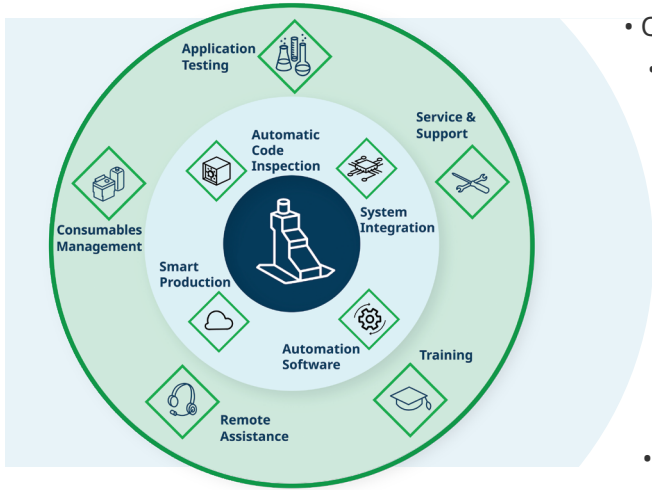
### Key capabilities

- ◆ Print height up to **23mm** per printhead; up to **91.9mm** stitched
- ◆ Resolution up to **1200dpi**
- ◆ **High optical density** on porous and non-porous substrates
- ◆ Up to **10mm** throw distance
- ◆ Reliable low-temperature performance with the **Gx-Series Printhead Heater**, ideal for chilled food environments
- ◆ Food-packaging compliant (nDFC) ink, manufactured in accordance with **EuPIA GMP**

[www.domino-printing.com](http://www.domino-printing.com)

Domino. Do more.

# Relax. And code with confidence.



- Quality **coding equipment**
- **Vision systems** for automatic code inspection
- Modular **automation software**
- **Cloud connected** devices & analytics
- **Certified installation and integration** services
- Full onsite parts and labour **extended warranty**
- Extensive **field service & support** network
- **24x7 helpdesks** with augmented reality\*
- Material science **application testing**
- **Consumables management** services
- **Operator training** for safe & optimized sites

All with **complete cost predictability & flexible payment options**

## Technical specification

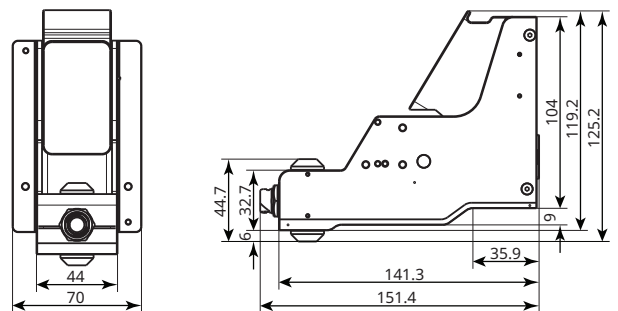
### Gx-Series PRO

Printhead dimensions excluding head plate**	Height 151.4mm, width 44mm, depth 125.2mm, weight 0.45kg
<b>PRO</b> Printhead Printer compatibility	<b>Gx150i, Gx350i, GxOEM</b>
Printhead cables	1.5, 3, 6, 12 or 25m
Printhead Connections	Universal printhead includes top, rear and front printhead cable connectors
Printheads per controller	Up to 4 printheads for increased message height or individual printing on up to 4 different print positions
Print height	1 printhead 23mm, 2 printheads 46mm, 3 printheads 69mm, 4 printheads 91.9mm
Print speed and horizontal resolution	<b>PRO</b> printhead up to 390m/min at 60dpi, up to 39m/min at 600dpi
Resolution	Up to 1200dpi
Throw distance	Up to 10mm for alphanumeric codes, 4mm for 2D Codes (Grade B)
Ink Types	A range of fast drying water and solvent based inks for porous and non-porous substrates
Food packaging compliant inks***	Inks suitable for non-direct food contact packaging (nDFC) which are manufactured in accordance with EuPIA GMP

\* Subject to regional availability.

\*\* **PRO** printhead depth is noted as the depth when the lid is closed. When open it is 138.5mm. The height also depends on which connector position is used – height noted here is the maximum, using the top connector.

\*\*\* This product has a Quality Management System that means that it will only work with Domino circuitry, and it uses dynamic security measures to block non-Domino circuitry from being used. From time to time updates to the circuitry will be issued by Domino to maintain the effectiveness of the Quality Management System.



## TALK TO AN EXPERT

800.444.4512  
[solutions@domino-na.com](mailto:solutions@domino-na.com)  
[www.domino-na.com/contact](http://www.domino-na.com/contact)