



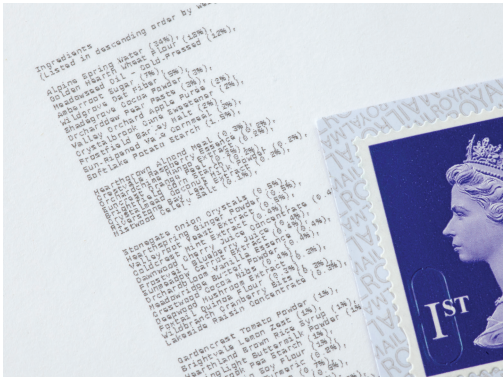
Cx150i High-Resolution Inkjet Printer

Capable, Compact and Cost-Effective, Direct-to-Box Printing



Domino. Do more.

The **Cx150i** is a compact, direct-to-box printer that delivers the high-quality codes associated with higher cost solutions. It combines premium performance with the connectivity and usability you would expect from the Domino **Cx-Series**. In short, it's capable, compact and cost-effective.



Unlock the power of direct box coding

- ◆ Brand logos and graphics up to 600dpi
- ◆ 1D and 2D barcodes, including QR codes powered by GS1
- ◆ Product batch information and serialised data for product traceability
- ◆ True Type and Open fonts for complete control of code aesthetics
- ◆ Surface printing for both side / vertical and top / horizontal applications
- ◆ Large format, high-resolution printing on boxes and more



Cost-effective, high-quality, high-resolution printing

- ◆ Unparalleled print quality from Domino's established **Cx-Series**
- ◆ Print resolution up to 300 x 600dpi
- ◆ A range of settings provide high code quality with minimal ink usage

Code accuracy and consistency

- ◆ Smart integration with coding automation software for accurate code content
- ◆ Barcode scanner and vision control integration to confirm code readability



Green Credentials

Domino is committed to minimising the consumption of natural resources. Our innovative ink pouch minimises the creation of waste material.

Direct box coding with **Cx150i** can significantly reduce your environmental footprint. No label waste, only vegetable oil-based ink delivered in small drops to make great codes.

Big on Connectivity

The **Cx150i** is Industry 4.0-ready, for seamless factory integration

- ◆ A broad range of connectivity options facilitate integration with factory equipment
- ◆ Simple text transfer solution for integration with a variety of host packaging and processing machinery
- ◆ The **Cx150i** integrates with factory MES and ERP systems, via **Domino Automation** coding automation solutions
- ◆ Domino's cloud-based services give you 24/7 visibility of the printer's performance and utilisation, allowing you to drive overall equipment effectiveness (OEE) and maximise your profitability



Simple to use

The **Cx150i** makes coding easy

- ◆ Simple operation: with Domino's intuitive **QuickStep** touchscreen user interface, settings can be adjusted easily and whole new layouts created quickly from scratch
- ◆ Minimal intervention: the 500ml ink supply enables increased uptime
- ◆ No line stops: ink can be replenished during production
- ◆ Minimal need for regular maintenance, with no factory air or filter changes

A complete solution

Our services are designed to provide operational resilience, helping you to reduce downtime and maximise production efficiency.



Operational support

An outstanding level of care, wherever you are. Our **SafeGuard** packages provide high-quality, on-site assistance and AR-enabled remote guidance from our technical experts. **SafeGuard** helps to ensure we can be with you when you need us most.

Automatic code inspection

Ensure every code that leaves your factory is present and correct. With the **R-Series** - Domino's range of vision control systems - you can automate your code inspection to validate code presence, placement, and readability, and free up operator time for other activities.

Automation

Centralise your label management: **Domino Automation** easily integrates into your manufacturing process as well as your ERP/ MES systems. It makes automatic changeovers safe and simple, helping you to reduce waste and drive sustainability initiatives while increasing productivity and efficiency.

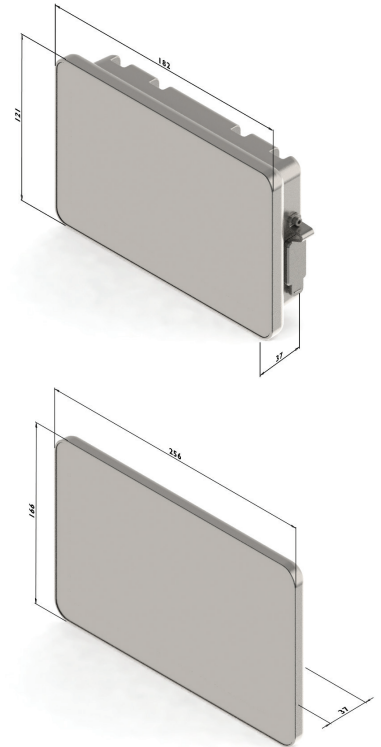
Smart production

Gain operational insight by connecting your printer to Domino's cloud-based services. Access our production analytics dashboard and receive system error alerts by phone or email. Domino's cloud-based services provides you with the information you need to run your operations more efficiently.

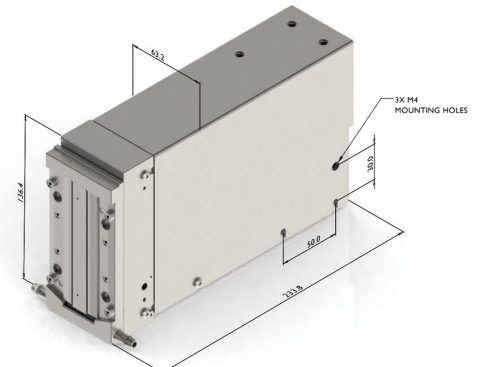
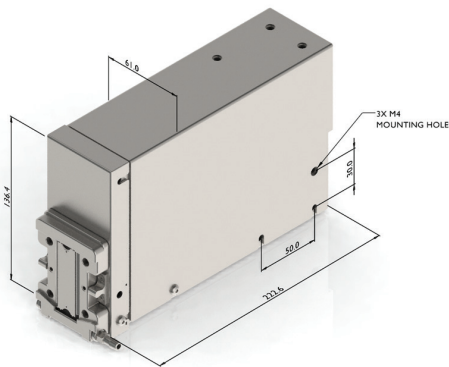
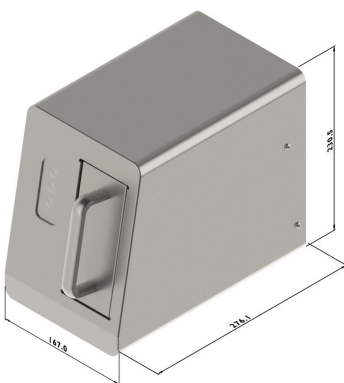
Technical specification

Cx150i

Inkbase	Cx1-Inkbase B Cx150i inkbase for oil-based ink	
Dimensions	Width 167.0mm / Depth 276.1mm / Height 230.5mm / Weight 7.3kg not including screw, power button, latch, connector cover, bracket	
Internal ink reservoir	50ml	
Electrical supply	Input 100-240Vac, 50-60Hz, 2A	
Power connector	6mm dc power jack from brick-style PSU (supplied)	
External connection options	1 x 24Vdc power input jack, 1 x encoder input, 3 x I/O connectors 2 x USBs (type A), 2 x RJ-45, 2 x IX	
Printhead	Cx1-PH 32 B Cx150i 32.5mm printhead for oil-based ink	Cx1-PH 65 B Cx150i 65.0mm printhead for oil-based ink
Conduit length options	1.5m and 3.0m	1.5m and 3.0m
Dimensions	Width 61.0mm / Depth 222.6mm / Height 136.4mm / Weight 1.92kg	Width 61.0mm / Depth 233.8mm / Height 136.4mm / Weight 2.05kg
Maximum height of print	32.5mm	65.0mm
Vertical resolution	300dpi	150dpi
Horizontal resolution	up to 600dpi	up to 600dpi
Distance to bottom nozzle	23.3mm	32.7mm
TouchPanel		
User interface	7" or 10" touchscreen interface with QuickStep software	
Dimensions	7" Width 182mm / Depth 37mm / Height 121mm / Weight 0.8kg 10" Width 256mm / Depth 37mm / Height 166mm / Weight 1.2kg	
System specification		
Operating temperature	5-40°C	
Operating relative humidity	10-90% RH (non-condensing, 10°C increase per hour)	
Finish	Brushed stainless steel	
Protection	IP4X	
Communication	Ethernet / Dynamark protocol, EDC (serial, TCP, USB), Domino Cloud Interface (DCI), Domino coding automation	
Print speed	max. 200m/min. @100dpi, 100m/min. @200dpi, 70m/min. @300dpi, 47m/min. @450dpi, 35m/min. @600dpi	
Ink*	High-contrast, vegetable oil-based ink supplied in 500ml, low-waste flexible pouch	



* This product has a quality management system that means that it will only work with Domino circuitry, and it uses dynamic security measures to block non-Domino circuitry from being used. From time to time updates to the circuitry will be issued by Domino to maintain the effectiveness of the quality management system.



TALK TO AN EXPERT

+91 900 900 6612
www.domino-printing.com
enquiry@dominoindia.com



Connect on WhatsApp