



F720i Fibre Laser

Indelible coding at top production speeds

The **F720i** fibre laser is a reliable and efficient coding solution, designed for high-quality, abrasion-resistant marking on metals and sturdy plastics. When a large amount of high-contrast characters need to be coded at top line speeds, the **F720i** is the first choice for manufacturers across the electronics, automotive and pharmaceutical industries.



Code more content at high-speeds

- ◆ Unique 3D power concentration – short, intense pulses achieve increased marking speeds
- ◆ Clean and clear indelible marking with high contrast even on high-speed lines

Ensure stable laser performance in your environment

- ◆ Non-stop production at temperatures up to 45°C
- ◆ IP65 rating – ready for harsh production environments



Optimise Total Cost of Ownership

- ◆ Consistent high quality eliminates waste
- ◆ Designed for the needs of a 24/7 production process
- ◆ Sustainable production without fluids or consumables
- ◆ New-design cooling system for low energy consumption

Protect your brand and create marketing possibilities

- ◆ Get creative with content to inform and engage with customers
- ◆ Permanent codes help assure traceability and tamper-proofing

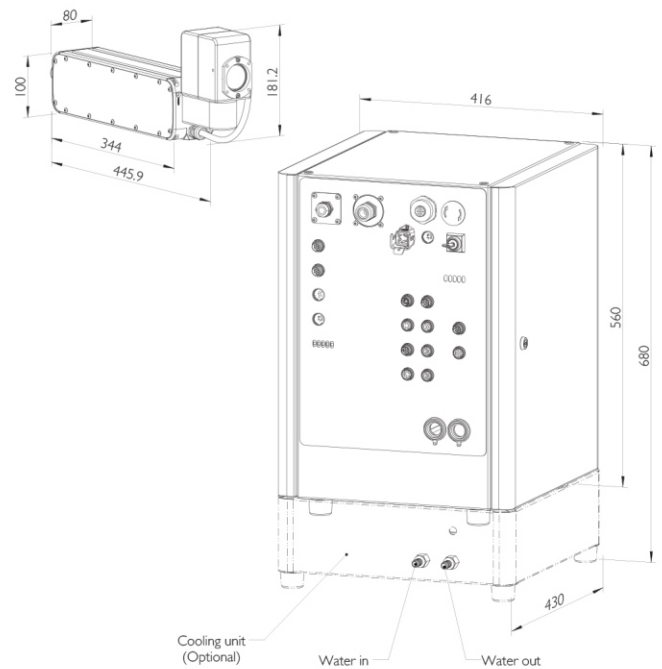


Domino. Do more.

F720i Technical Specifications

Ink free	✓
Text	Full unicode support / 32 different fonts
Graphics & logos	Imported *.bmp (monochrome), *.plt, *.dxf
MRC (1-D and 2-D codes)	✓
Operating temperature	5-35°C (optional up to 45°C)
Humidity	Max. 90% RH, non-condensing
Ingress protection (print head)	IP65
Ingress protection (cabinet)	IP55 (optional IP65)
Laser type	Pulsed fiber laser
Laser power	70W
Laser wavelength	1059 – 1065nm
Pulse peak power	13kW
Conduit length	2.7m (8.9ft)
Power consumption	420VA average (70VA idle)
USB port	✓
RS232 port	✓
Ethernet (10/100 Mbit)	✓
Ethernet/IP	Optional
Laser source life time	100.000h (MTBF)

Not to scale. For illustrative purposes only.



CONTACT US

TALK TO AN EXPERT

+91-900 900 6612
 enquiry@dominoindia.com
 www.domino-printing.com



KNOW MORE

Domino Printech India LLP, 117, Sector - 8, IMT Manesar, Gurugram, Haryana, India - 122050

All performance related figures and claims quoted in this document were obtained under specific conditions and may only be replicated under similar conditions. For specific product details, you should contact your Domino Sales Advisor. This document does not form part of any terms and conditions between you and Domino.