



K150 digital ink jet printer

Add some VDP
to your print



Simple and low cost solution for
variable data printing of high quality
addresses, barcodes and numbers
in your current production lines



Domino. Do more.

Adding variable data

The Domino K150 is capable of printing addresses, barcodes, 2D codes, logos and graphics as well as numbering. Its simple, compact design makes integration on to mailing lines, webs and plastic card lines easy to achieve.

The piezo drop on demand technology delivers excellent print quality with impactful UV and cost-effective low volatile solvent ink options.

A diverse range of applications

The Domino K150 meets the increasing demands for late-stage ink jet customisation on a range of coated and uncoated substrates in mailing, label, ticket, security, plastic card and business form applications



Printing QR codes, graphics and text on rolls or sheets



Personalisation and addressing application



Part-personalisation on wine labels



Greener credentials

Domino's commitment and investment in sound environmental practices means we frequently exceed the demanding governmental, industry and company standards and regulations. We are committed to minimising the consumption of natural resources and energy and the creation of waste. Our products are RoHS and WEEE compliant so that they are recyclable.

K150

The K150 is supplied with UV curable and low volatile solvent inks representing efficient use of natural resources. Although UV curable inks are chemicals and need to be used correctly, they offer significant environmental benefits compared to volatile solvent inks where 95% of the solvent evaporates.

What printer configuration?

KI50VR

The KI50VR, or the variable resolution variant, enables the operator to adjust the angle setting of the print head for either higher print resolution (across the material travel direction) or increased print band height. See table for typical setting options.

Horizontal Resolution	Vertical Resolution	Max Speed		Image	
		(m/min)	(ft/min)	Ht.(mm)	Ht.(inch)
450dpi	450dpi	61	200	14	0.56
300dpi	300dpi	91	300	22	0.85
200dpi	200dpi	137	450	32	1.28
150dpi	150dpi	183	600	43	1.70
90dpi	91dpi	300	984	71	2.80

Best possible print quality is achieved at speeds below 95m/min (312ft/min)

KI50FR

The KI50FR, or the fixed resolution variant, has a print resolution of 180dpi (across the material travel direction) combined with a 71mm high print band. The KI50FR can also achieve all of the print options available from the KI50VR.

Horizontal Resolution	Vertical Resolution	Max Speed		Image	
		(m/min)	(ft/min)	Ht.(mm)	Ht.(inch)
360dpi	180dpi	75	246	71	2.8
270dpi	180dpi	100	328	71	2.8
180dpi	180dpi	150	492	71	2.8
90dpi	180dpi	300	984	71	2.8

Best possible print quality is achieved at speeds below 95m/min (312ft/min)

What ink type?

UV curable and solvent inks

Depending on print finish required and substrate, each system is either configured with:

- UV curable ink for printing on a wide range of porous and non-porous substrates, including plastic, foil and coated paper
- Non-volatile solvent inks for printing on porous, semi-porous as well as some non-porous substrates.



Simple design

The KI50 Base Station including ink system is very compact with a small footprint for easy integration and yet provides easy access for fluids replenishment.

The print head has been designed for field repair in order to limit support costs and maximise production uptime.



Powerful ink jet and machine controller

Industry Standard Controller

The Domino **Editor™ GT** PC based controller, with over 2,000 installations, is available for receiving and configuring data files for printing. A number of data formats can be received. In addition data creation tools are available, such as cut and stack and step and repeat numbering. To meet your application needs, a range of machine control options are available, including Mail Sort and in-line camera verification.



Simple data prep tools

Off-line software tools are available for easy set up of more complex production jobs.

Custom

For individual requirements, where workflow processes are already established...talk to us – we have the expertise to integrate seamlessly and cost effectively.

Simple operations and maintenance

Start up

Print ready can be achieved within five minutes, and job changeover is possible within seconds.

Print head purging

With print head mounting brackets moving between off-line purging and printer ready position, fast make ready can be achieved effortlessly.



A quick tour around the K150

Editor™ GT

User Interface
(optional)

4.5m (14.8 ft)
conduit

Compact print head

Print head mount

Compact main
ink system and
electronics
enclosure

One litre
ink bottle

Adjustable
resolution
(K150VR only)

Available with
UV curable and
non-volatile
solvent inks



Arial 12pt
Arial 10pt
Arial 8pt
Arial 6pt

K150-FR

Black Solvent Ink
180 x 180 dpi



Data Matrix Code



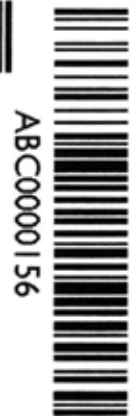
Mr. J Easton
Domino UK Ltd
Bar Hill
Cambridge
CB23 8TU



ABC0000156



QR-Code



ABC0000156

71mm (2.8") / 180dpi

180dpi

John Visit us at:- www.domino-printing.com

71mm (2.8") print swathe printed at 180 x 180dpi Representation of print quality only, final quality is dependent on substrate and printer operating conditions.

Technical Specification:

KI150 VR variant

- Up to 71mm (2.8") print width
- 256 individually addressable nozzles
- Print resolution from 90 to 450dpi speed and print width dependent
- Network TCP/IP link to Domino Editor GT

KI150 FR variant

- 71mm (2.8") print width (fixed)
- 512 individually addressable nozzles
- Print resolution 180dpi across swathe and selectable 90, 180, 270 and 360dpi in the running direction, speed and transport dependent
- Network TCP/IP link to Domino Editor GT

Print Head

- Dimensions: 112mm (4.4") (W) x 70mm (2.8") (D) x 270mm (10.6") (H)
- Conduit length - 4.5m (14.8')

Base Station including Ink System

- Dimensions: 187.5 (7.4") (W) x 306mm (12") (D) x 345mm (13.6") (H)
- Field replaceable components
- Black UV curable or solvent ink

Ultraviolet (UV) and Infra Red (IR) Drying Systems

- Range to suit applications

Power Supply

- 110VAC - 240VAC 50-60Hz auto ranging

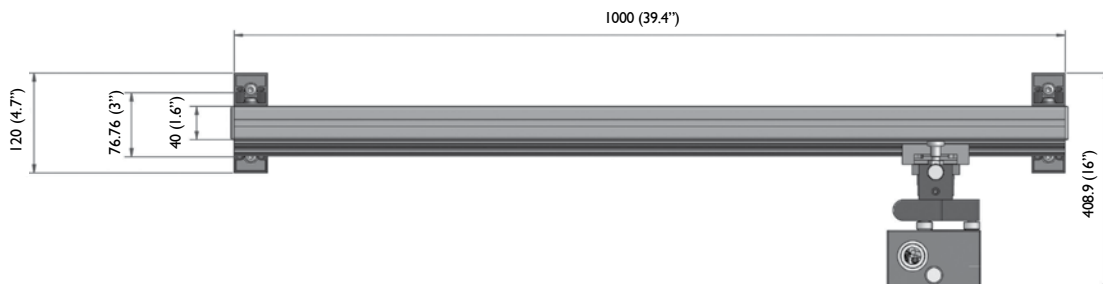
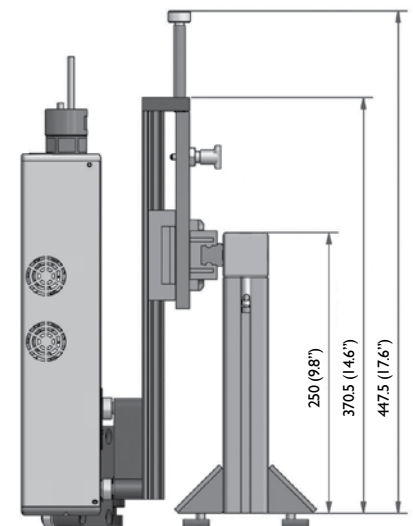
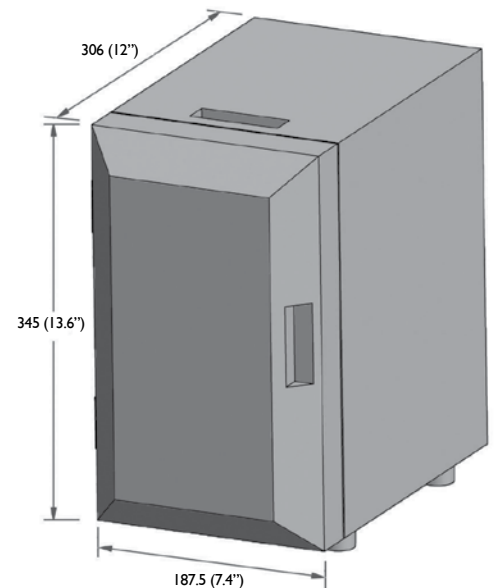
Editor GT Controller

Domino Editor GT Windows controller range supports:

- Text - Adobe and Windows True Type fonts plus Unicode support
- Bitmap graphics - .bmp, .pcx, .tif, .jpg, .gif
- Barcodes - Australian Post 1-4, CodaBar, Code 2 of 5, Code 2 of 5 Interleaved, Code 39, Code 93, Code 128, Code 128A-C, EAN 8, EAN 13, EAN 128, ITF-14, GS1 DataBar (RSS 14), GS1 DataBar Stacked, Planet, Plessey, Royal Mail CBC (Four State), SICK, UPC A, UPC E, USPS Intelligent Mail Barcode, USPS Postnet
- 2D codes - Data Matrix, Dt. Post 26, Dt. Post 52, Dt. Post Hex, Maxi Code, Micro QR, PDF417, QR-Code
- Maximum 8 x KI150 print heads controlled with Multi Position tracker for VR and FR variants
- Maximum 4 x KI150 print heads controlled with Mail Table tracker for VR and FR variants

Accessories

- Fine adjustment print head mounting brackets
- Start up kit with wash bottle, wipes and wash down tray
- Alarm beacon - full colour LED beacon for visual printer status



Dimensions in mm (inches)

