

Mx350i-T

Automated Print & Apply Labelling Made Easy

With the **Mx-Series** we have simplified the process of printing and applying GS1-compliant labels, including traceability codes, on your products and packages. The **Mx350i-T** offers advanced connectivity options and the flexibility to switch between contact and non-contact applications. Ideal in industries requiring a robust all-around and easy-to-operate system, including food, beverage, and life sciences, as well as industrial, electronics etc.



Easy to integrate

- ◆ With one of the smallest footprints on the market and left- and right-hand variants, you can easily fit your **Mx350i-T** print and apply solution into any production line.
- ◆ The **Mx350i-T's** advanced connectivity options allow for seamless integration with ERP, WMS, and MES systems in your factory.



Easy to use

- ◆ The user-friendly integrated UI and optional remote 10-inch touchscreen make the **Mx350i-T** very easy to operate.
- ◆ The robust design and clever functionality minimises the time needed for media changes and maintenance, so you can maximise your production uptime.

Easy to adapt

- ◆ The **Mx350i-T** is built to last, it will serve you for a long time and its flexibility ensures it can adapt to your evolving labelling needs without the need for costly investments.
- ◆ **Mx350i-T** is highly configurable and offers several options to further refine and simplify your labelling processes.

www.domino-printing.com



A complete solution for all labelling needs



Our services are designed to provide operational insight so you can eliminate downtime and maximise production efficiency

Operational support

Our extended warranty packages provide high-quality, on-site assistance and augmented reality-enabled remote guidance from our engineers. **SafeGuard** helps to ensure we can be with you when you need us most.

Automatic code inspection

Ensure every code that leaves your factory is present and correct, and free up operator time. With R-Series, Domino's range of vision control systems, you can automate your code inspection to validate code presence, placement, and readability.

Control software

Control your product codes from a central location and streamline product changeovers. Domino Automation uses standard communication protocols and can be integrated into existing ERP systems.

High-quality consumables

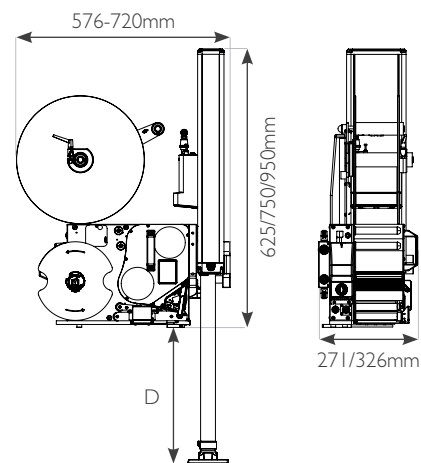
Domino provides an extensive range of high-quality consumables for both general purpose and niche requirements. To achieve brilliant results and protect your printer, only use genuine Domino consumables.



Technical specification **Mx350i-T**

Model	Mx350i-T4	Mx350i-T6
Print width	4-inch (108mm)	6-inch (162mm)
Print technology	Thermal transfer / Direct thermal	
Print resolution	12 dots/mm (300dpi)	
Printer variants	Left hand or Right hand	
Max print speed	400mm/s	250mm/s
Distance to product (D)	200mm model: 10-160mm 400mm model: 10-360mm 600mm model: 10-560mm	
Product motion	Moving or Stationary	
Apply method	Contact (tamp) or Contact-less (blow/tamp)	
Label position		
Recommended label width	25-110mm	25-150mm
Recommended label length	15-210mm	
Label & ribbon roll length	Up to 600m	
Input voltage	90-250VAC 50/60Hz	
Communication	4x Ethernet, TCP/IP, 2x USB-A, 1x USB-B	
I/Os (configurable)	12 inputs and 12 outputs	

Dimensions



CONTACT US

TALK TO AN EXPERT

- +44 1954 782 056
- enquiries@domino-uk.com
- www.domino-printing.com

