

Technical Specification:

Operational Capability

Maximum line speed	37.5 – 75m/min
Image width	108mm (4.25") to 782mm (30.81")
Nominal media to print head distance	1.0mm (0.04")
Media	Coated paper and films

Adhesive System

Adhesive Supply	10 litres (ink dependent)
Adhesive Type	UV Curable

Foil Types and Substrates

Suitable Substrates	Papers: Gloss, coated, semi-coated and some uncoated (no rough or highly absorbent substrates) Synthetics: PE, PP and PET
Foil Types	Wide range of decorative colours in flat, gloss and matt shades. Holographic stock 'wallpaper' patterns and high security customised patterns, originated upon request including registered designs.

Print Capability

Text	Fixed text, variable text
Graphics	.bmp, .pcx, .tif, .jpg, .gif, .pdf
Other Interfaces	Please contact us for more details

Key Dimensions

Conduit length - main enclosure to print head	4m (13')
Conduit length - main enclosure to flush bottle	4m (13')
333m (13") head print bar	1330w x 354.4d x 705.4h mm (height dimension excludes conduit)
10L ink supply box 108 (4.25") - 558mm (21.96")	640w x 440.4d x 425h mm (dimensions excluding conduit radius)
Flush holder	234w x 234d x 360h mm (dimensions excluding air regulator and conduit radius)

Services

Electrical	K600i	110-240v AC50-60Hz 10A (auto ranging)
Compressed Air	UV System	Operation dependent, normally 380-420v three phase drop 6-8 bar clean dry supply

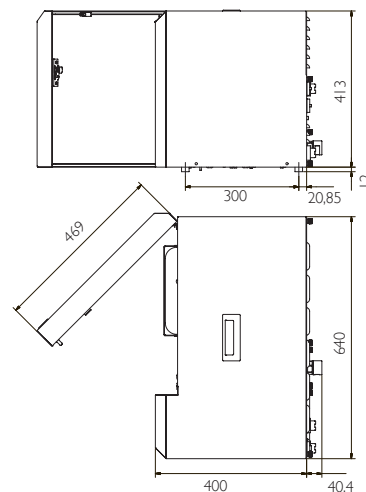
Environment

Optimum temperature range	20-30°C (68-86°F)
Optimum humidity range	40-60%

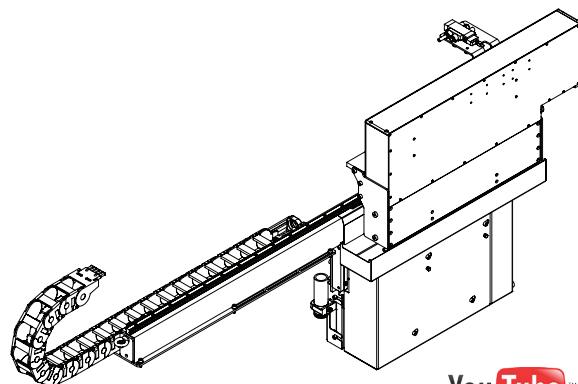
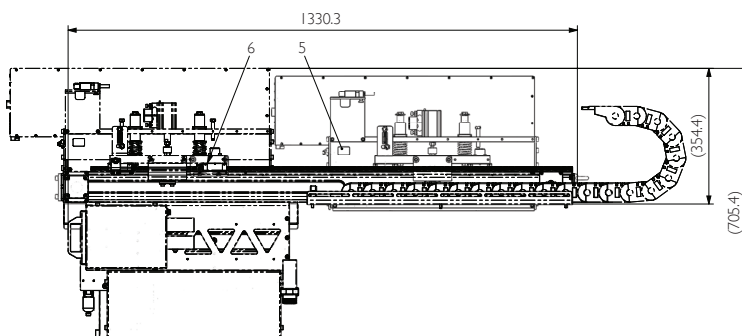
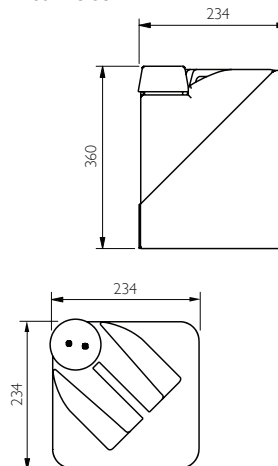
Ancillary Equipment

Print head guarding, UV dryer, Web cleaner, Web guide, Anti-static bars, Reel to reel system, Arched roller section, Corona treatment.

10 litre ink supply box



Flush holder



YouTube™

